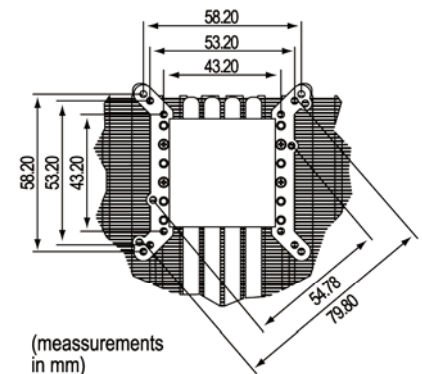
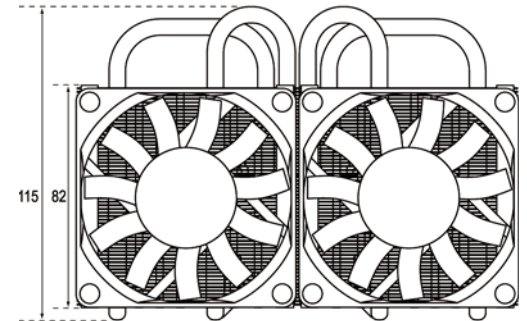
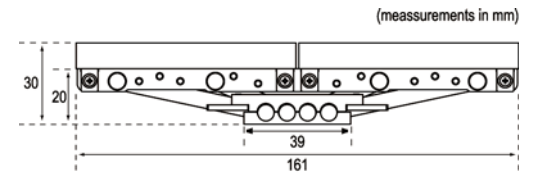




Employing 4 high-performance heatpipes and two large 80mm fans, the GFXChilla provides superior cooling performance at minimum noise levels. The GFXChilla is widely compatible, simple to install and can easily be upgraded.



SPECIFICATIONS

Product	GFX Chilla (VGA-Cooler)
Material	Copper (base and heat-pipes), aluminium (cooling fins)
Compatibility	See compatibility list (online)
VGA-Cooler without fan	20 x 161 x 115 mm
VGA-Cooler with fan	30 x 161 x 115 mm
Fan size	2x 80x80x10 mm
Weight	330 g
Rotation Speed	2000 RPM
Acoustical Noise	18 dB/A

PACKAGING INFORMATION

Scope of Delivery	RAM- & VR-heatsinks, 3:4-pin Adaptor, Thermal Paste, Installation Manual
Warranty	24 months
Packaging Type	Retail
Packaging Size	198 x 230 x 52 mm
Total Weight	0.54 kg/Pc - 13 kg/Colli
Pcs/Colli	24
MSRP/Pc	EUR 29.90
EAN Code	4716123312802

- Four 6mm heatpipes for excellent heat distribution throughout the cooling fins
- Two large, low-profile 80x80x10mm fans (18dB)
- Low profile: takes up only 2 expansion slots
- Incl. self-adhesive aluminium RAM & VR heatsinks
- Easy installation and broad compatibility



Coolink is a brand of the Kolink International Corporation and stands for an effective conjunction of no-frills performance, excellent quality and attractive pricing.

Coolink - the direct link to affordable high-end cooling!

- Multilingual Website
- Multilingual product-descriptions
- Multilingual promotion material
- Prompt & fair warranty-handling
- Original packed fans in exchange for RMA-Products
- High resolution graphical material
- Latest Reviews