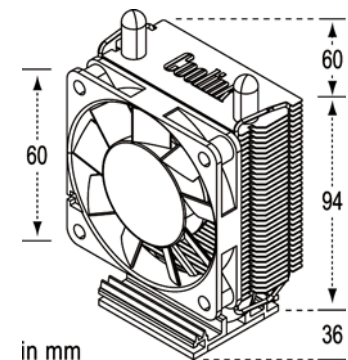




## Is your chipset overheating?

Featuring a large 6mm Dual-Heatpipe and a quiet 60mm fan, the ChipChilla easily chills today's hot & overclocked chipsets while keeping noise at a minimum.

Thanks to the asymmetrical design and the flexible mounting system for mainboards with push-pins and mounting-hooks, the ChipChilla offers broad compatibility with Intel & AMD motherboards.



## SPECIFICATIONS

Product	Chipchilla (Mainboard-Cooler)
Material	Copper (base and heat-pipes), aluminium (cooling fins)
Chipset-Cooler without fan	94 x 60 x 32 mm
Chipset-Cooler with fan	94 x 60 x 37 mm
Fan Size	60 x 60 x 10 mm
Weight (with fan)	130 g
Speed	2200 RPM
Acoustical Noise	19 dB/A
Compatibility	Push-Pins & Mounting-Hooks

## PACKAGING INFORMATION

Scope of Delivery	Cooler, Fan, Mounting Parts, Thermal Paste, Installation Manual
Warranty	24 months
Packaging Type	Retail
Packaging Size	160 x 110 x 51 mm
Total Weight	0.33 kg/Stk - 16kg/Colli
Pcs/Colli	48
MSRP/Pc	EUR 16.90
EAN Code	4716123312673

- Large 6mm Dual-Heatpipe for maximum cooling performance
- Quiet 60mm fan for faster heat dissipation at minimum noise levels (19dB)
- Asymmetrical design ensures optimal compatibility
- Flexible, easy-to-use mounting system for Intel and AMD mainboards with push-pins & mounting-hooks

Coolink is a brand of the Kolink International Corporation and stands for an effective conjunction of no-frills performance, excellent quality and attractive pricing.

**Coolink - the direct link to affordable high-end cooling!**

- Multilingual Website
- Multilingual product-descriptions
- Multilingual promotion material
- Prompt & fair warranty-handling
- Original packed fans in exchange for RMA-Products
- High resolution graphical material
- Latest Reviews